

# ADB-SL-V

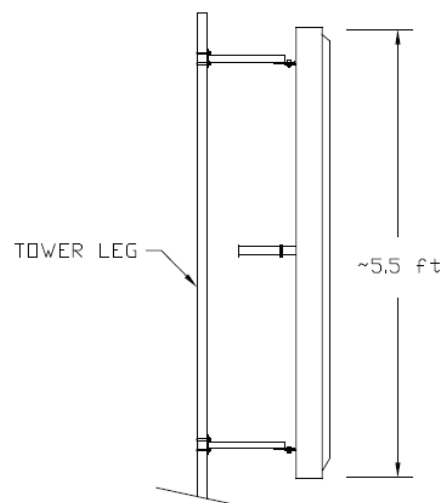
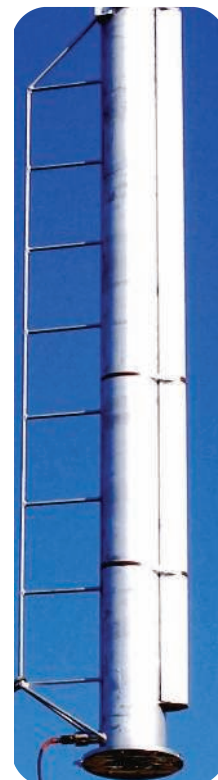
## VHF Slot Antenna



### Product Description

The ADB-SL-V VHF Slot Antenna series is designed for performance. Detail in manufacturing and tuning for your pattern assures premium performance. The feed lines are pressurized for protection, and the slots are radome sealed to protect the antenna from even the harshest environments. The power rating of these antennas are conservative and can be increased. The use a waveguide power dividing feed system doubles the power rating the antennas.

Also available the ADB-SL-V slot antenna uses marine brass, copper, aluminum and virgin Teflon in construction, is the finest antenna of its type.



### TYPICAL SPECIFICATIONS

<b>Polarization</b>	HPOL/CPOL/EPOL
<b>VSWR</b>	1.1:1 or better across channel
<b>Power Rating</b>	1 kW to 90 kW
<b>Impedance</b>	50 or 75 ohm

## Alan Dick Broadcast Ltd

Design, supply & manufacture communication infrastructure systems on a global scale by offering products and services for Wireless networks.

• Americas • Asia Pacific • Europe • Middle East