

ADB-AHD

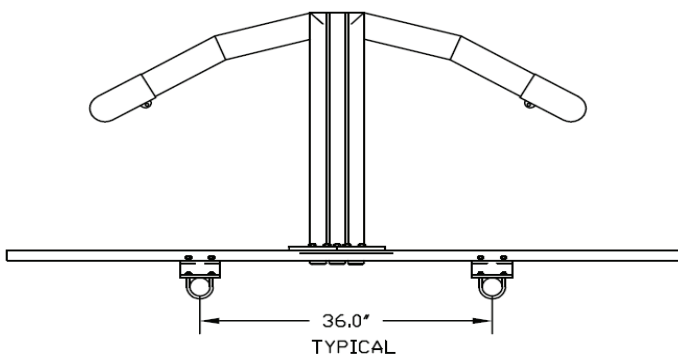
Arrowhead Dipole Broadcast Panel Antenna



Product Description

The ADB-AHD Arrowhead Dipole broadcast panel antenna is an excellent choice for stations looking for above average pattern stability and excellent control over axial ratio. The ADB-AHD is designed for Bands I, II (FM), and III and is easily adaptable for multi-station use. The ADB-AHD antenna is designed to be mounted on the sides of a large tower or other large supporting structure. Power rating is 10 kW per panel, however higher powers are available.

The ADB-AHD VHF Panel Antenna is designed as a side-mount antenna. The ADB-AHD antenna is based on a modular design and can be configured to provide various azimuth and elevation patterns. By using optional beam tilt and null fill, the elevation pattern can be shaped to maximize coverage. The design of this circularly polarized antenna may be configured to include varying levels of vertical polarization, with results ranging from small amounts of elliptical polarization to full circular polarization. The ADB-AHD VHF Panel Antenna can produce a wide variety of standard and custom azimuth patterns. Different configurations will produce various gains, weights and wind loads.



HD CAPABILITIES

The ADB-AHD -HD Dual Input HD FM antenna system for full service, 50-100 kW ERP stations provides exemplary linearity and power handling capability. The HD Radio/I.B.O.C. folded hybrid feed for the dipoles is mounted right behind each antenna dipole array and allows dry air or nitrogen pressurization from the input connectors through to the radiating dipoles in order to protect the antenna from damage causing moisture invasion.

Alan Dick Broadcast Ltd

Design, supply & manufacture communication infrastructure systems on a global scale by offering products and services for Wireless networks.

• Americas • Asia Pacific • Europe • Middle East

ADB-AHD

Arrowhead Dipole Broadcast Panel Antenna



#BAYS	Panels Per Bay	Gain (Times)	dBd	Height (ft/m)	Net Weight (pounds)	Windload (pounds)
1	1	2.00	3.00	6ft / 1.82m	Contact Factory	
	2	1.00	0.0			
	3	0.47	-3.20			
2	1	4.00	6.00	16ft / 4.87m		
	2	2.00	3.00			
	3	1.00	0.00			
4	1	8.00	9.00	36ft / 10.97m		
	2	4.00	6.00			
	3	2.10	3.22			
6	1	12.0	10.8	56ft / 17.05m		
	2	6.00	7.80			
	3	3.2	5.00			
8	1	16.0	12.0	76ft / 23.16m		
	2	8.0	9.0			
	3	4.30	6.30			
10	1	20.0	13.0	96ft / 29.26m		
	2	10.0	10.0			
	3	6.6	8.2			
12	1	24.0	13.8	116ft / 35.36m		
	2	12.0	10.8			
	3	8.0	9.03			

*All stated gains are Peak gains. Gains do not include losses for feed system, beam tilt or null fill.

NOTES:

- Weights and wind loads contact factory.
- In an Omni-directional configuration, circularity is $\pm 2\text{dB}$ or better, 5ft/1.524m face or smaller tower
- All inputs are EIA flange, female
- Power derating occurs above 2,000ft/609.6m elevation. Contact factory for details
- Power and dB gains are typical for horizontal and vertical components
- Special mounting brackets are available
- Other combinations of EIA inputs and power ratings available
- Power rating is 10kW per panel, special high power designs available
- Total number of FM Channels may be limited by total input power
- Power gain is based on half wave dipole in free space
- Specifications based on one wave spaced bays, other spacing available

Since many factors contribute to a station's compliance with the FCC exposure guidelines for radio frequency radiation, Alan Dick Broadcast Ltd. cannot accept any responsibility in this matter. The station must examine and determine its status based on each individual situation. For reduced low angle radiation near the tower, a low RFR model of this antenna is available. Contact the factory for pricing data and further details.

*All specifications are subject to change without notice.

Alan Dick Broadcast Ltd

Design, supply & manufacture communication infrastructure systems on a global scale by offering products and services for Wireless networks.

• Americas • Asia Pacific • Europe • Middle East