



Power PRO Pro Hybrid Power Solution

The Hybrid Power Core Systems is designed using high efficiency switch-mode rectifier modules and an intelligent controller and will be configured with a DC-distribution system.

The AC incoming side is protected with surge protection.

The solution can be added with an additional Solar Core.



Solar Core

12kW Power Core

- 19" 5U Power Core 12KW
- 4 x ETR+3KW Rectifiers
- SMU01 Controller
- 1Ph/3Ph Mains Input
- 1 x LVBD, 4 x 80-125A Battery MCB
- 12 x 6-63A 1P Load MCB

Key features

- Compact
- Modular and scalable
- Front access for ease of installation
- Efficient and reliable
- Easily customizable and configurable solution
- Wide input voltage range
- Remote and local monitoring



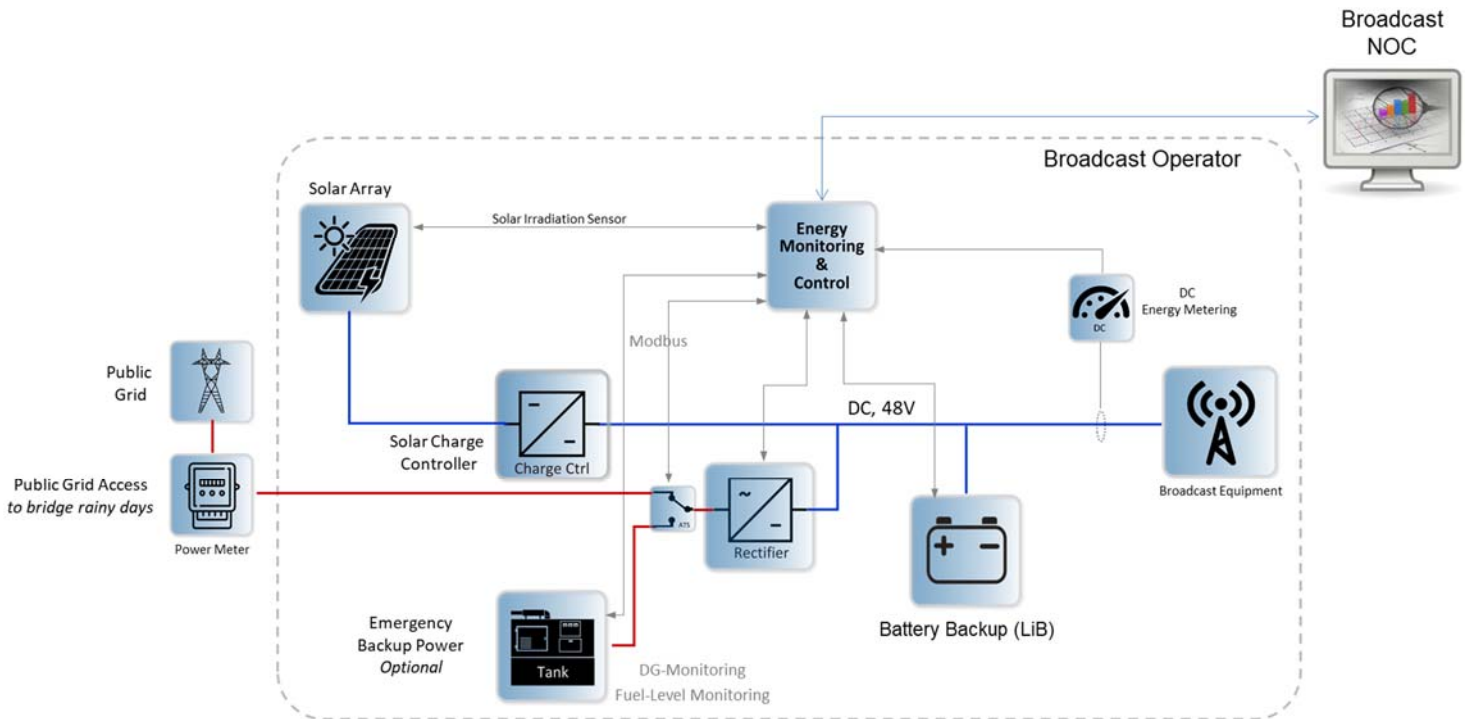
Outdoor Cabinet:
for Hybrid Power Core & Transmitter



Power PRO Pro Hybrid Power Solution

Solar Hybrid System with Remote Monitoring

- Solar Hybrid Power configuration with 500W per Transmitter Station & Battery backup time for up to 24 hours.
- Use of high-performance Lithium Battery modules to optimize energy density.
- Public Grid Access is used to provide power if Solar Energy is not enough.
- Communication grade Genset can be used as a backup solution for longer grid outages.



System Configuration:

- Load 500W
- Power Core up to 12kW
- Battery System up to 400Ah
- Optional Genset System 15KVA
- Energy Management Systems
- Remote Monitoring System



Power PRO Pro Hybrid Power Solution

Power System Suggested Configuration for Broadcast Application

Power Solution	Scenario 1	Scenario 2	Scenario 3
System Load	500 W	500 W	500 W
Site Location / Type	Urban / Rooftop	Rural / Greenfield	Remote / Greenfield
Site Power Source	Grid + Battery	Grid + Solar + Battery	Solar + Battery
Site Power Condition	Good Grid	Poor Grid	Off Grid
Grid availability	20 - 24 hours	18 - 20 hours	0 hours
Backup time (from battery)	4 hours	6 hours	24 hours
Site footprint (inc Tx Equipment)	3m x 3m	6m x 5m	6m x 10m
Alternative Power Source Option	Genset / Renewable	Genset / Renewable	Genset / Renewable

Notes:

1. System can be design for other system loads.
2. Alternative power sources can reduce site footprint.
3. Remote monitoring available for all systems.

*All specifications are subject to change without notice.



Power PRO  Pro Hybrid Power Solution



Providing Power
for
Broadcast Systems



**Radio
Transmission**



**TV
Transmission**



**Data
Transmission**

provided by



WWW.JAMPRO.COM