

ADB-LPC

Low Power Sidemount Antenna



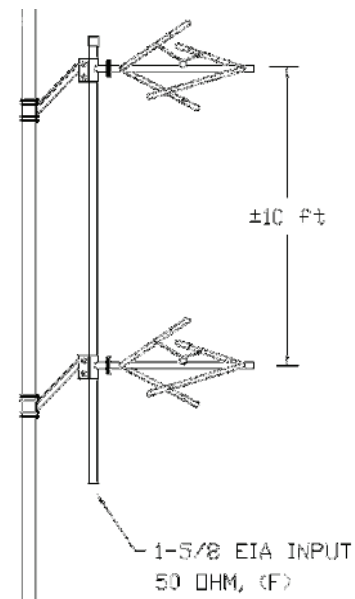
Product Description

The ADB-LPC antenna is the low power version of the popular Penetrator antenna, which has become an industry standard for quality and performance. Each bay consists of a Penetrator style radiating element with a rigid shunt feed line supported by a galvanized steel mounting bracket; standard round leg mounting brackets for a uniform face tower are included with each antenna. Silver plated inner conductor connectors are used throughout for maximum contact life and minimum power loss. Outstanding performance for HD Radio, Stereo and SCA Operation. Excellent VSWR and Bandwidth 1.10:1.



# Bays	Power Gain	dB Gain	FS @ 1 Mi.	Safe Input Power kW	Weight (lbs)	Wind load (lbs)
1	0.46	-3.37	93.2	1	Contact Factory	
2	1.00	0.00	136.7	2		
3	1.50	1.76	168.4	3		
4	2.10	3.22	199.2	4		
5	2.70	4.31	225.2	4		
6	3.20	5.05	246.0	4		
8	4.30	6.34	285.2	4		
10	5.50	7.40	322.4	4		
12	6.60	8.20	353.2	4		

*All stated gains are Peak gains. Gains do not include losses for feed system, beam tilt or null fill.



Alan Dick Broadcast Ltd

Design, supply & manufacture communication infrastructure systems on a global scale by offering products and services for Wireless networks.

• Americas • Asia Pacific • Europe • Middle East

ADB-LPC

Low Power Sidemount Antenna



Notes:

1. Weights and wind loads contact factory.
2. Wind loads based on 50/33 PSF (98 MHz, midband)
3. Feed points, when end fed is 3ft/0.9144m below bottom bay; when center fed is 9'.6"/2.8956m below center
4. All inputs are EIA flange, female
5. Power derating occurs above 2,000ft/609.6m elevation. Contact factory for details
6. Power and Db gains are typical for horizontal and vertical components
7. Special mounting brackets are available
8. Other combinations of EIA inputs and power ratings available
9. Free space azimuth circularity is ± 2.0 dB
10. Polarization is right hand, clockwise circular
11. Power gain is based on half wave dipole in free space
12. Specifications based on one wave spaced bays, other spacing available

Since many factors contribute to a station's compliance with the FCC exposure guidelines for radio frequency radiation, Alan Dick Broadcast Ltd. cannot accept any responsibility in this matter. The station must examine and determine its status based on each individual situation. For reduced low angle radiation near the tower, a low RFR model of this antenna is available. Contact the factory for pricing data and further details.

*All specifications are subject to change without notice.

Alan Dick Broadcast Ltd

Design, supply & manufacture communication infrastructure systems on a global scale by offering products and services for Wireless networks.

• Americas • Asia Pacific • Europe • Middle East

© Alan Dick Broadcast Ltd

www.alandickbroadcast.com